

APR 15 P 1:44
3/28/93

LEGAL DESCRIPTION

PARCEL A
 LOTS 1 TO 17, BLOCK 11, LOTS 8 TO 23, BLOCK 12, AND THE WEST 25 FEET OF LOTS 1 TO 4, BLOCK 12, OF "MILLER'S ADDITION TO BAKER", AS RECORDED IN VOLUME 3, PAGE 74, TOGETHER WITH THE VACATED "B" STREET.
 ALSO TOGETHER WITH THE VACATED RAILROAD AVENUE BETWEEN "A" AND "C" STREETS IN SAID BLOCKS 11 AND 12.
 ALSO TOGETHER WITH THAT PORTION OF THE VACATED ALLEY LYING WEST OF AND ADJACENT TO SAID BLOCK 11, ALL AS VACATED BY THE TOWN OF CONCRETE ORDINANCE NO. 86 RECORDED MARCH 10, 1926, UNDER AUDITOR'S FILE NO. 181876.
 EXCEPT THAT PORTION OF LOT 1, BLOCK 11, DEEDED TO THE CITY OF CONCRETE.

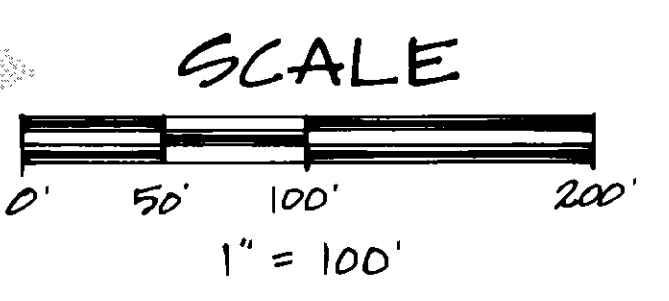
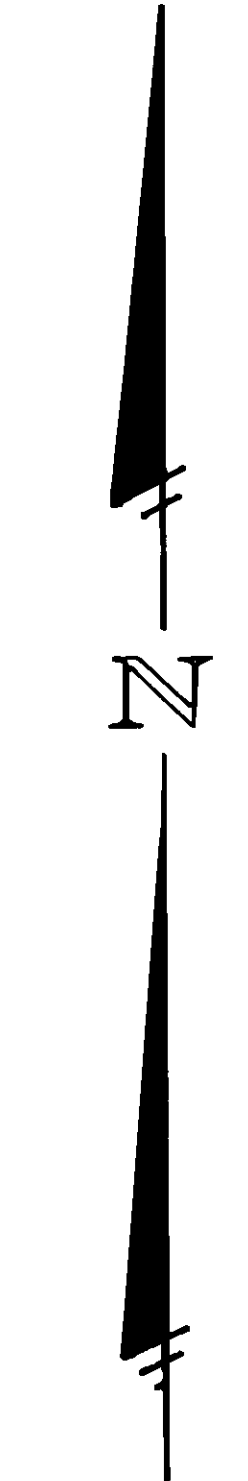
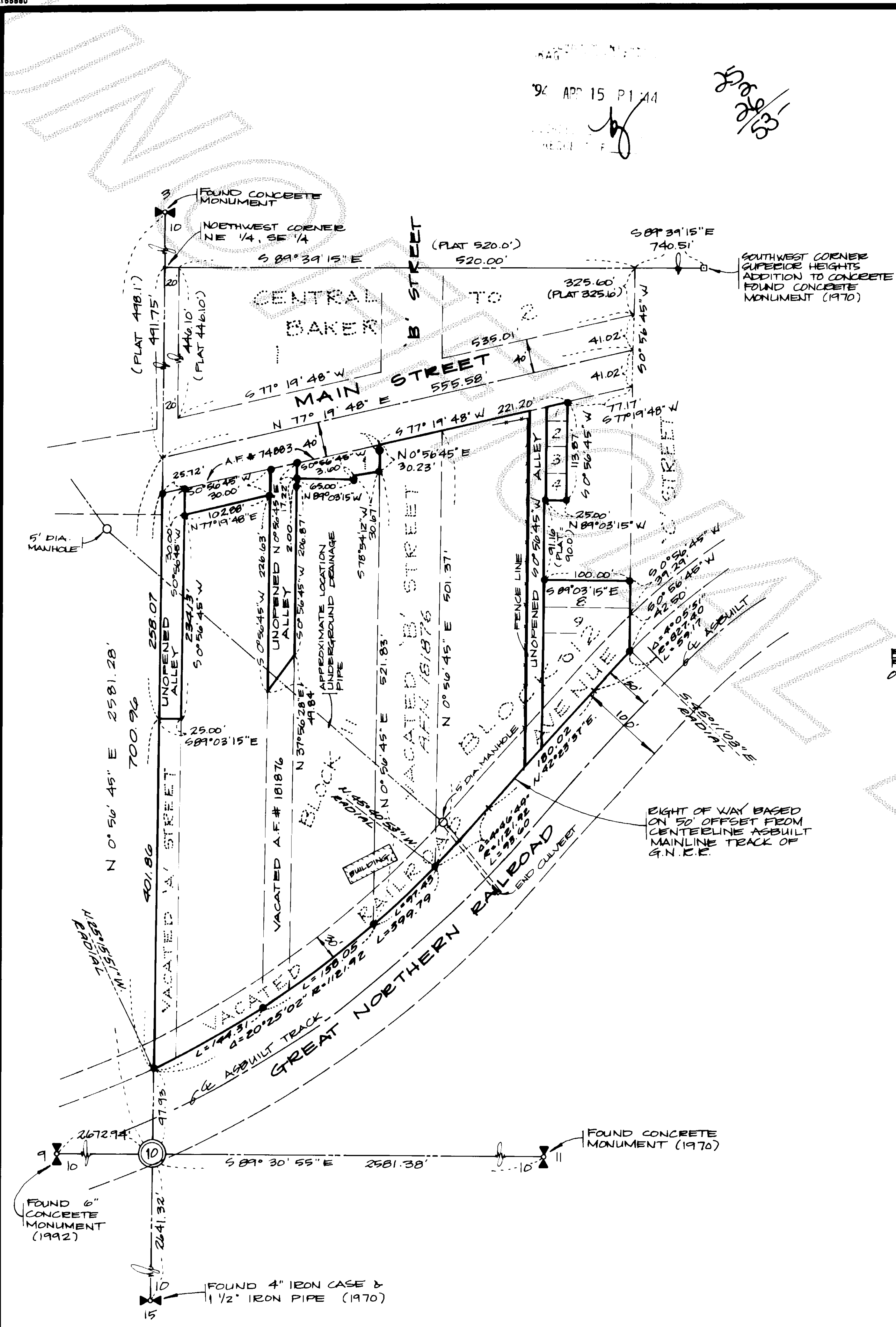
PARCEL B
 THAT PORTION OF THE SOUTHWEST QUARTER OF THE NORTHEAST QUARTER OF SECTION 10, TOWNSHIP 35 NORTH, RANGE 8 EAST, W.M., DESCRIBED AS FOLLOWS:
 BEGINNING AT THE INTERSECTION OF THE WEST LINE OF THE SOUTHWEST QUARTER OF THE NORTHEAST QUARTER AND THE NORTH LINE OF THE GREAT NORTHERN RAILWAY RIGHT OF WAY; THENCE EASTERLY ALONG SAID RIGHT OF WAY TO A POINT WHICH IS EAST, 125 FEET; THENCE NORTH TO THE COUNTY ROAD AT A POINT WHICH IS 125 FEET EAST OF THE WEST LINE OF SAID SUBDIVISION; THENCE WESTERLY ALONG THE SOUTH LINE OF SAID ROAD TO THE WEST LINE OF SAID SOUTHWEST QUARTER OF THE NORTHEAST QUARTER; THENCE SOUTH ALONG SAID WEST LINE TO THE TRUE POINT OF BEGINNING, EXCEPT THAT PORTION, IF ANY, LYING WITHIN THE RAILROAD RIGHT OF WAY.
 LEGAL DESCRIPTION OBTAINED FROM FIRST AMERICAN TITLE CO. OF SKAGIT COUNTY, ORDER NO. 40573, DATED SEPTEMBER 8, 1993.

BASIS OF BEARING

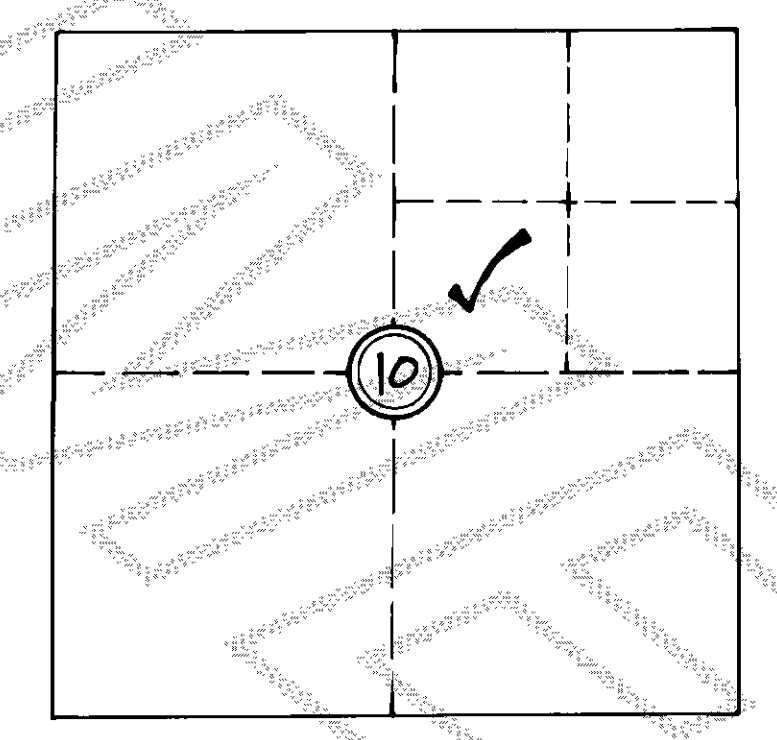
THE NORTH QUARTER CORNER SECTION 10 TO THE SOUTH QUARTER CORNER SECTION 10 AS SHOWN HEREON BEARS SOUTH 0° 56' 45" WEST.

NOTE

THIS SURVEY WAS PERFORMED IN THE FIELD USING A LIETZ SET 4A ELECTRONIC TOTAL STATION.

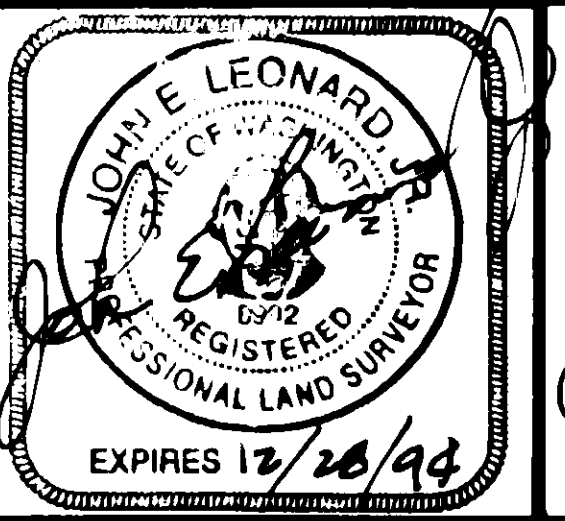


VICINITY MAP



SECTION 10, TWP 35 N, R 8 E, W.M.

SURVEYOR'S CERTIFICATE
 This map correctly represents a survey made by me or under my direction in conformance with the requirements of the Survey Recording Act, at the request of
 APNE STAR NORTHWEST
 JOHN E. LEONARD, JR., P.E. & S.
 Certificate No. 2992 Date 1/13/94



AUDITOR'S CERTIFICATE
 Filed for record this 15th day of April 1994 at 1:44 P.M. in Book 15 of Surveys at Page 151 at the request of Leonard, Boudinot & Skodje, Inc. under Auditor's File Number 9404150067
 Jerry Monturff County Auditor
 Judy Y. Zaruba By Deputy
 SKAGIT COUNTY, WASHINGTON

RECORD OF SURVEY for LONE STAR NORTHWEST in SECTION 10, TWP 35 N, R 8 E, W.M.

DWN BY: SBK DATE: SEP. 1993 FIELD BOOK: BK. 454 P. 51

Leonard, Boudinot & Skodje Inc. PROFESSIONAL ENGINEERS & LAND SURVEYORS 603 S. 1st Street, Mount Vernon, WA 98273, 336-5751

SCALE: 1" = 100' JOB NO: 93162